

## G980640 Spring Loaded Stainless Steel Ring Pull

### Features

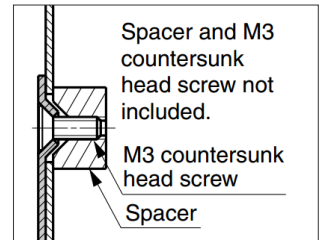
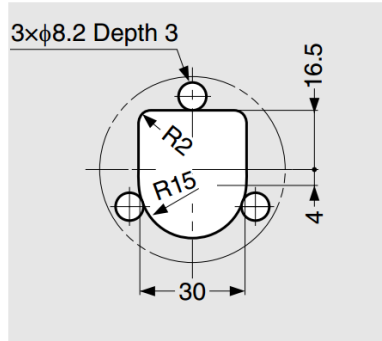
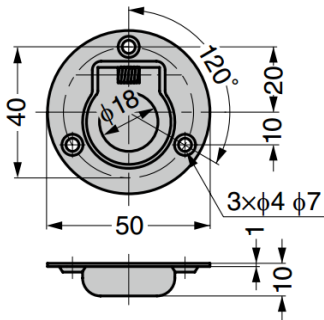
- Spring loaded

### Material

- Stainless steel 304, polished

### Parts Included

- Tapping screw 3×16 (SUS)



Sheet metal illustration

Part No.	Load Capacity	
G980640	196 N	20 kg

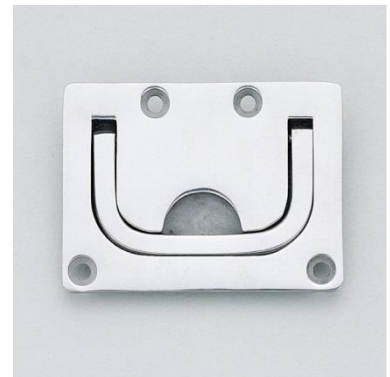
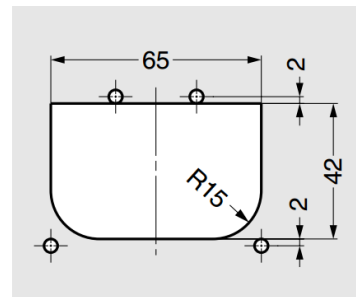
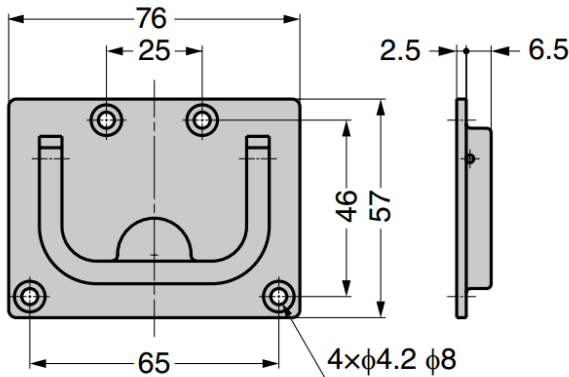
## G26700 Stainless Steel 316 Ring Pull

### Material

- Stainless steel 316, polished

### Recommended Screws

- Countersunk head tapping screw 3.5



Part No.
G26700